



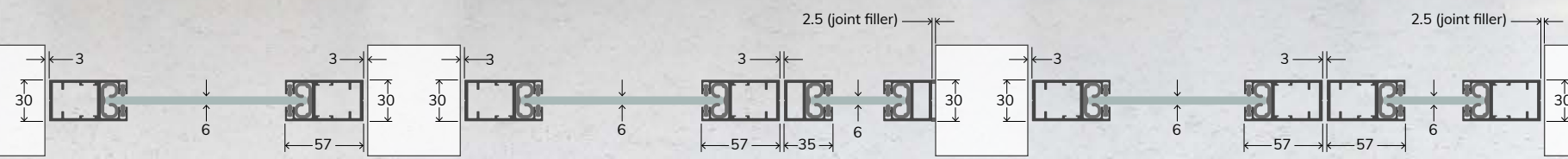
STEALTHPIVOT

By PortaPivot

JOINT DIMENSIONS  
PIVOT DISTANCE  
SECTIONS

# JOINT DIMENSIONS / 5730 / FRAME-A-WAY\*

\*Portapivot calculates the correct joints based on your door choice and setup! You only have to enter the correct 'wall opening' dimensions when ordering online!



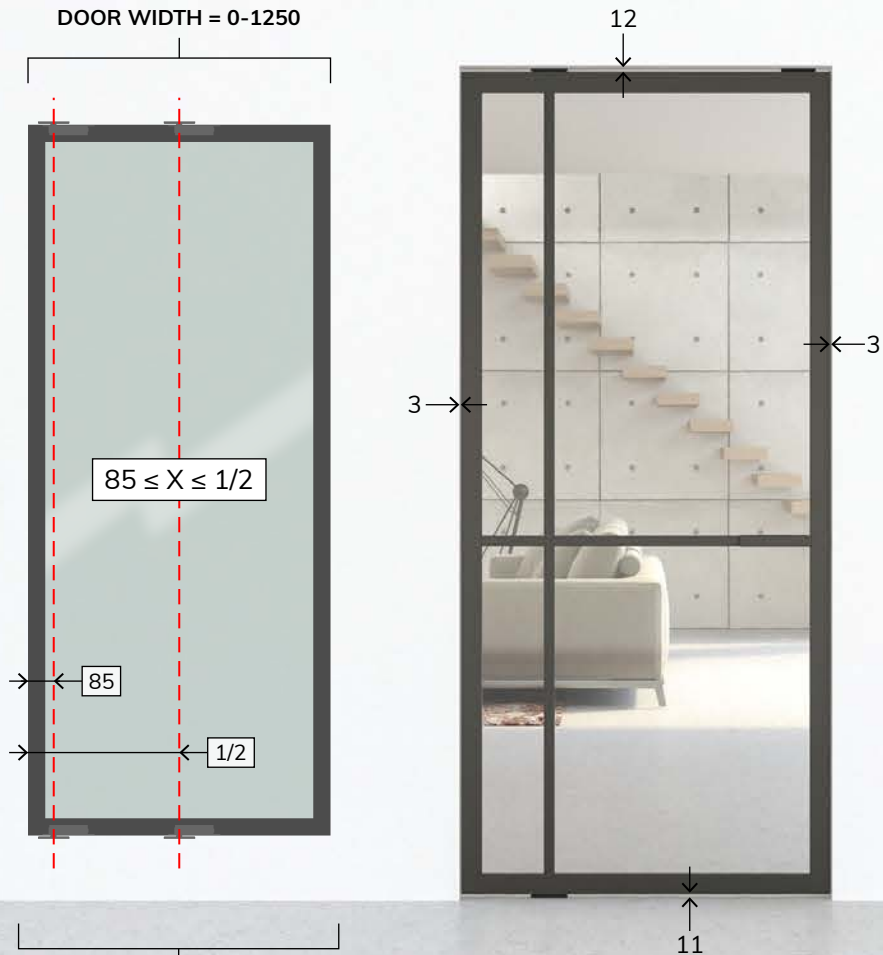
# JOINT DIMENSIONS / 5730 / DOORJAMBS\*

\*Portapivot calculates the correct joints based on your door choice and setup! You only have to enter the correct 'wall opening' dimensions when ordering online!

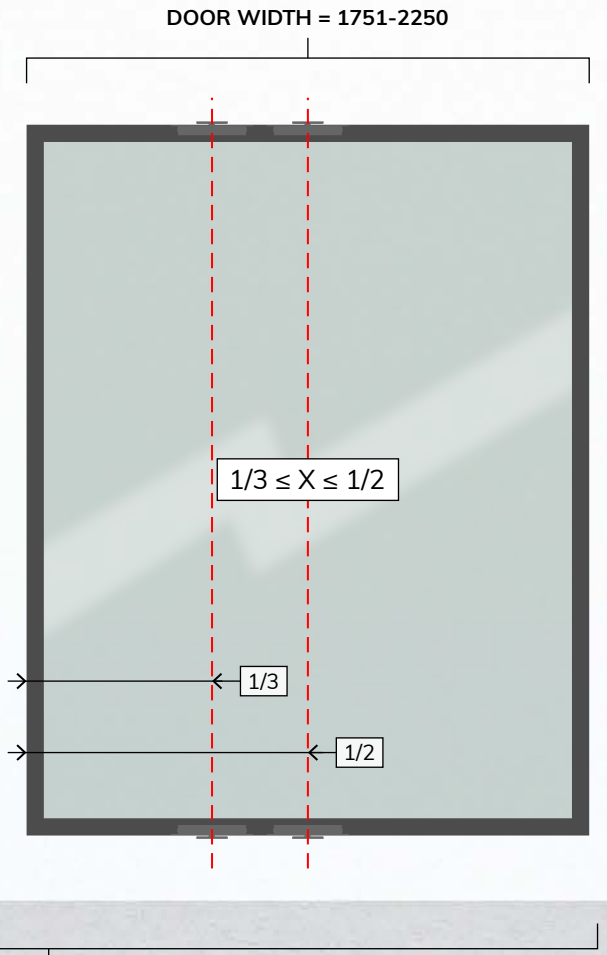
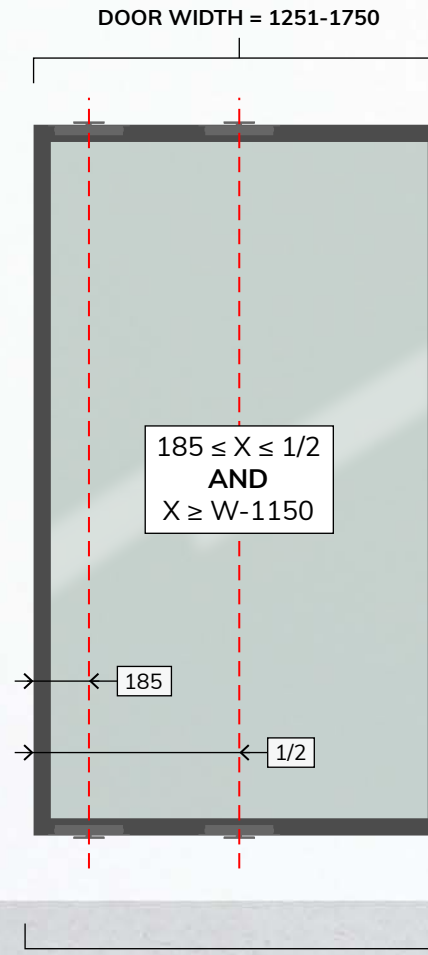


# PIVOT POSITIONS / 5730

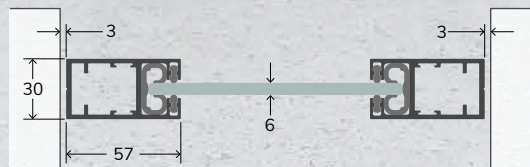
W = door width (alu frame)  
 X = axis position to door edge (alu frame)



NL PIVOT



XL PIVOT



WIDTH	W-1150	X range
1251	101	185 - 1/2
1335	185	185 - 1/2
1500	350	350 - 1/2
1750	600	600 - 1/2

EXAMPLES

WIDTH	X range
1751	584 - 1/2
1800	600 - 1/2
1950	650 - 1/2
2100	700 - 1/2

EXAMPLES

# JOINT DIMENSIONS / MINIMAX / FAW & DOORJAMBS\*

\*Portapivot calculates the correct joints based on your door choice and setup! You only have to enter the correct 'wall opening' dimensions when ordering online!

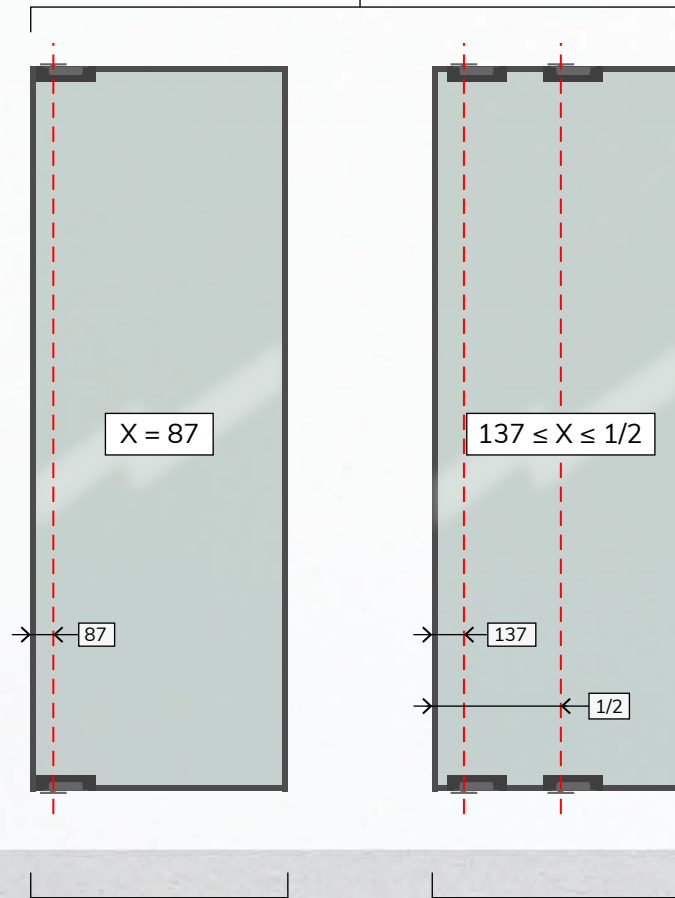


# PIVOT POSITIONS / MINIMAX / NL PIVOT

W = door width (alu frame)  
 X = axis position to door edge (alu frame)



DOOR WIDTH = 0-1250

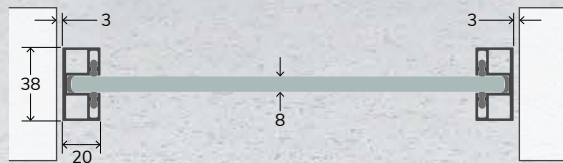


NL PIVOT

FIXED position  
 AGAINST vertical profile

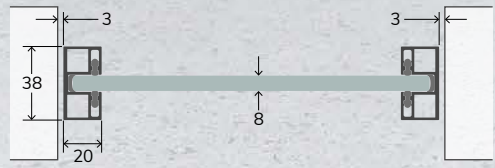
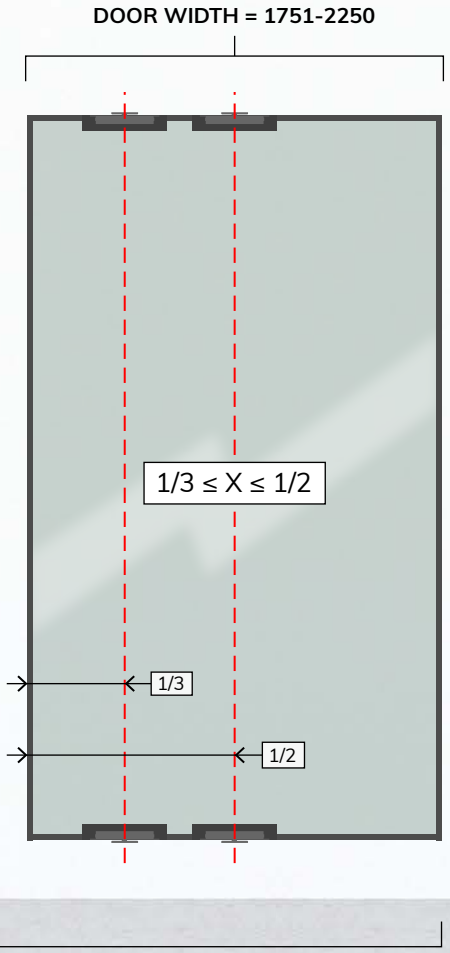
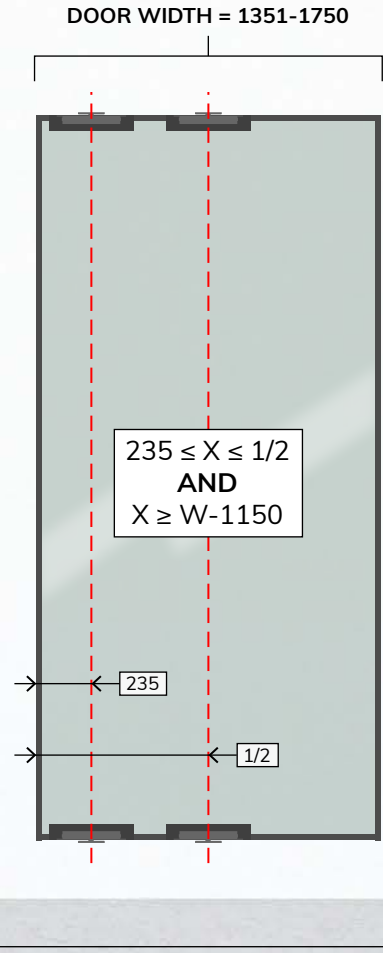
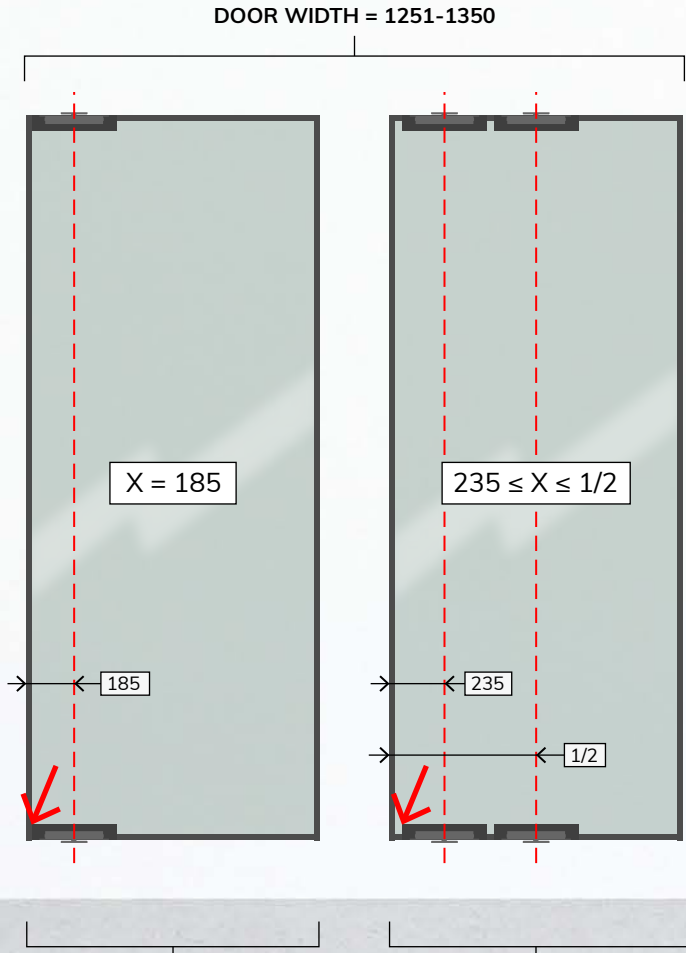
NL PIVOT

FREE position  
 NOT AGAINST vertical profile



# PIVOT POSITIONS / MINIMAX / XL PIVOT

W = door width (alu frame)  
X = axis position to door edge (alu frame)



**XL PIVOT**  
FIXED position  
AGAINST vertical profile

**XL PIVOT**  
FREE position  
NOT AGAINST vertical profile

WIDTH	W-1150	X range
1351	201	235 - 1/2
1385	235	235 - 1/2
1500	350	350 - 1/2
1750	600	600 - 1/2

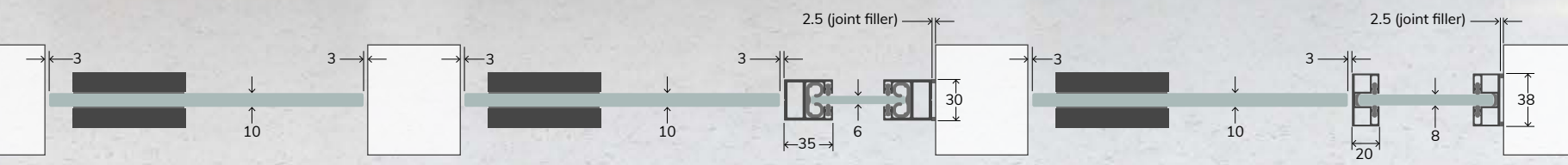
EXAMPLES

WIDTH	X range
1751	584 - 1/2
1800	600 - 1/2
1950	650 - 1/2
2100	700 - 1/2

EXAMPLES

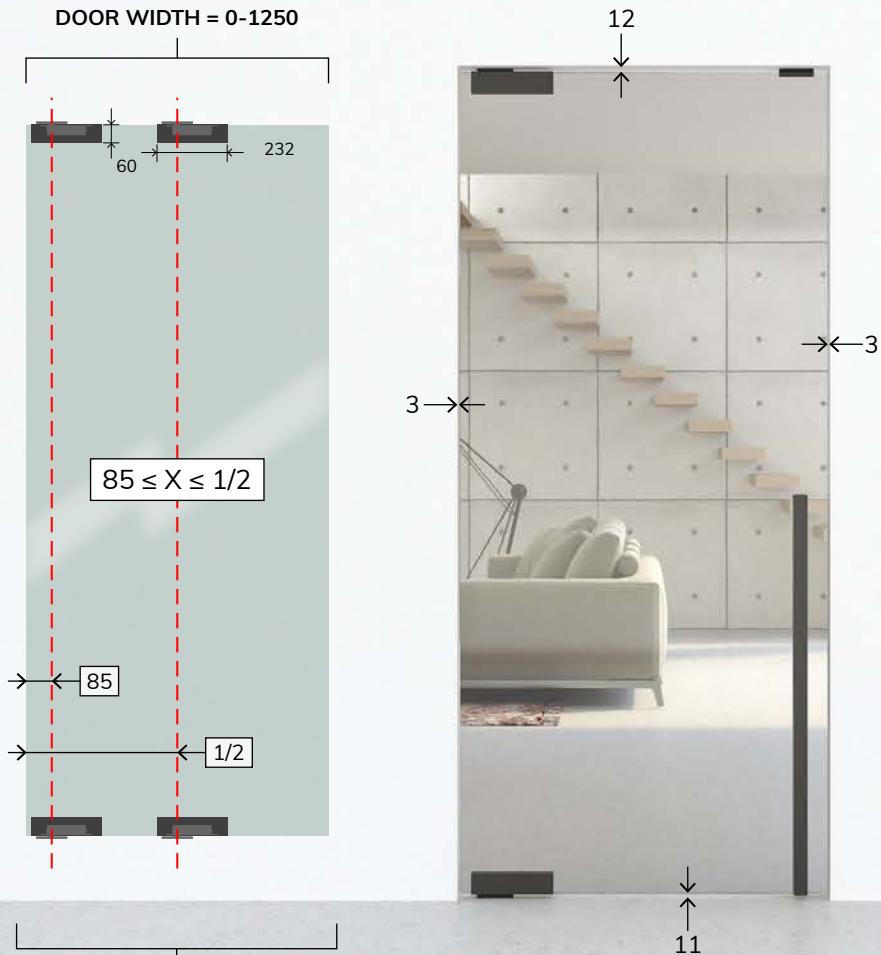
# JOINT DIMENSIONS / GLASS / FRAME-A-WAY\*

\*Portapivot calculates the correct joints based on your door choice and setup! You only have to enter the correct 'wall opening' dimensions when ordering online!

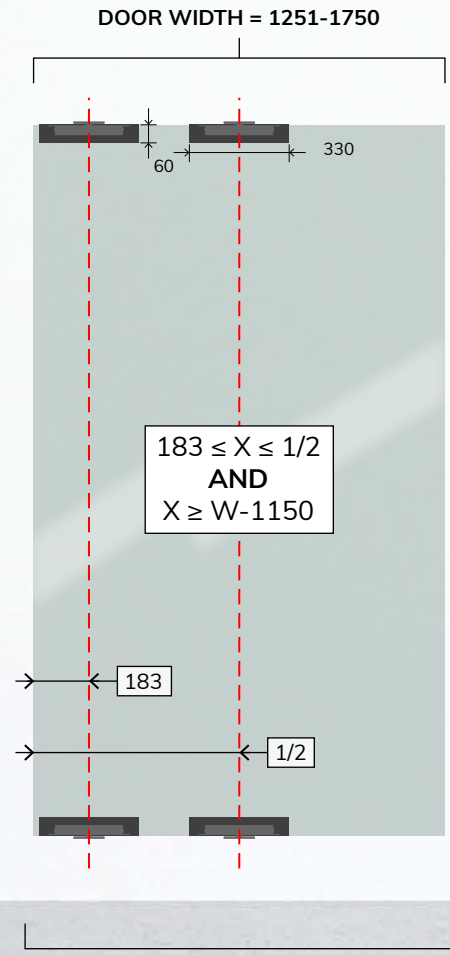


# PIVOT POSITIONS / GLASS

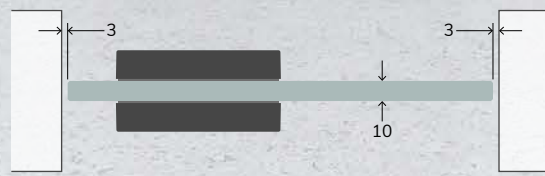
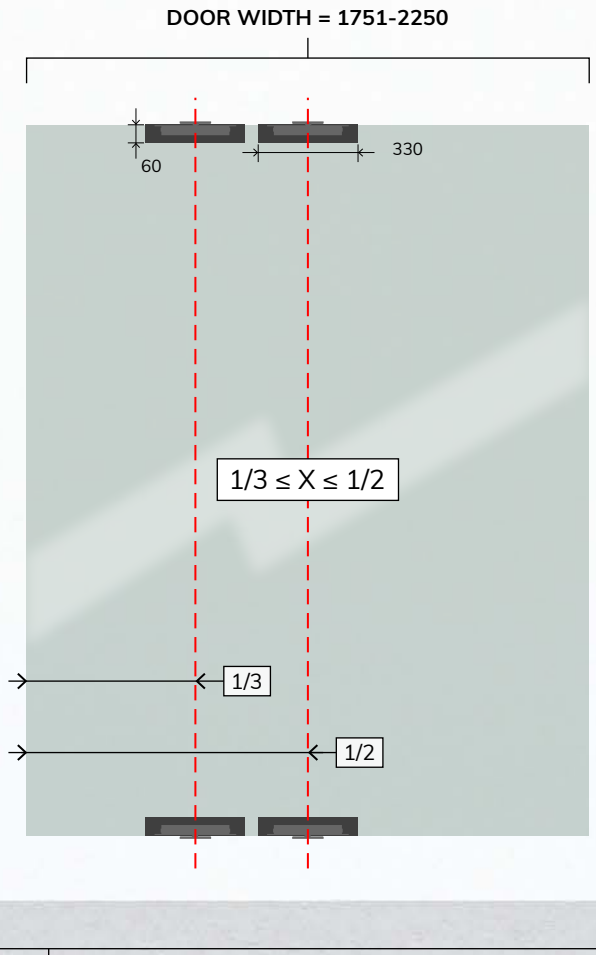
W = door width (glass panel)  
 X = axis position to glass panel edge



NL PIVOT



XL PIVOT



WIDTH	W-1150	X range
1251	101	183 - 1/2
1333	183	183 - 1/2
1500	350	350 - 1/2
1750	600	600 - 1/2

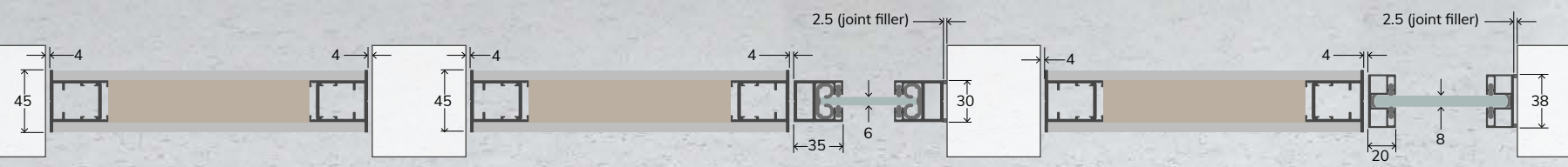
EXAMPLES

WIDTH	X range
1751	584 - 1/2
1800	600 - 1/2
1950	650 - 1/2
2100	700 - 1/2

EXAMPLES

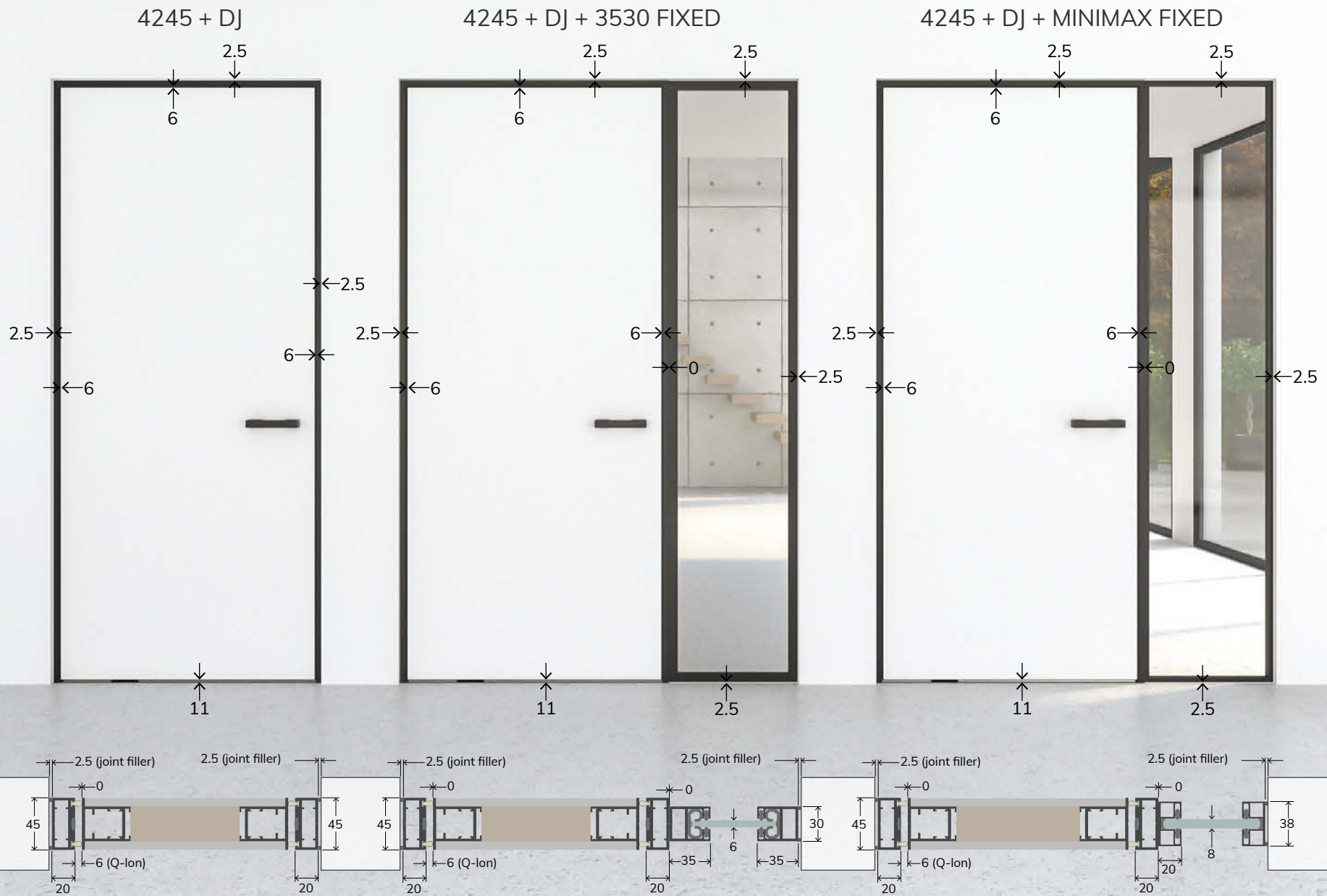
# JOINT DIMENSIONS / 4245 / FRAME-A-WAY\*

\*Portapivot calculates the correct joints based on your door choice and setup! You only have to enter the correct 'wall opening' dimensions when ordering online!



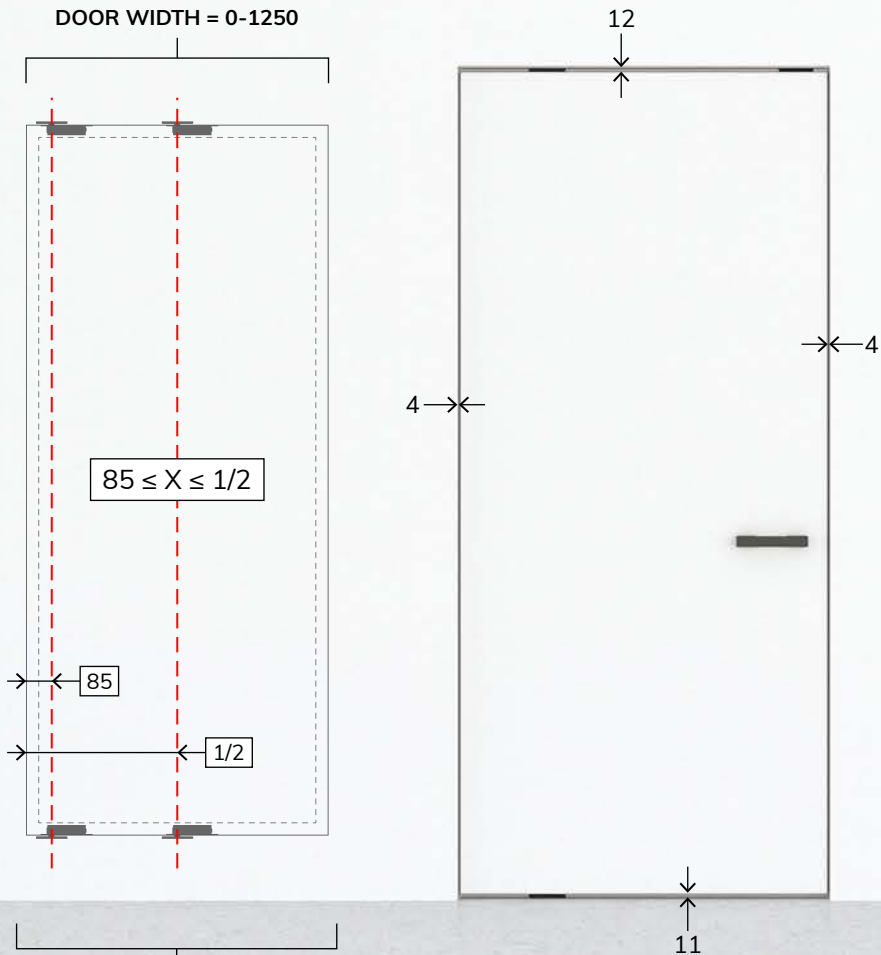
# JOINT DIMENSIONS / 4245 / DOORJAMBS\*

\*Portapivot calculates the correct joints based on your door choice and setup! You only have to enter the correct 'wall opening' dimensions when ordering online!

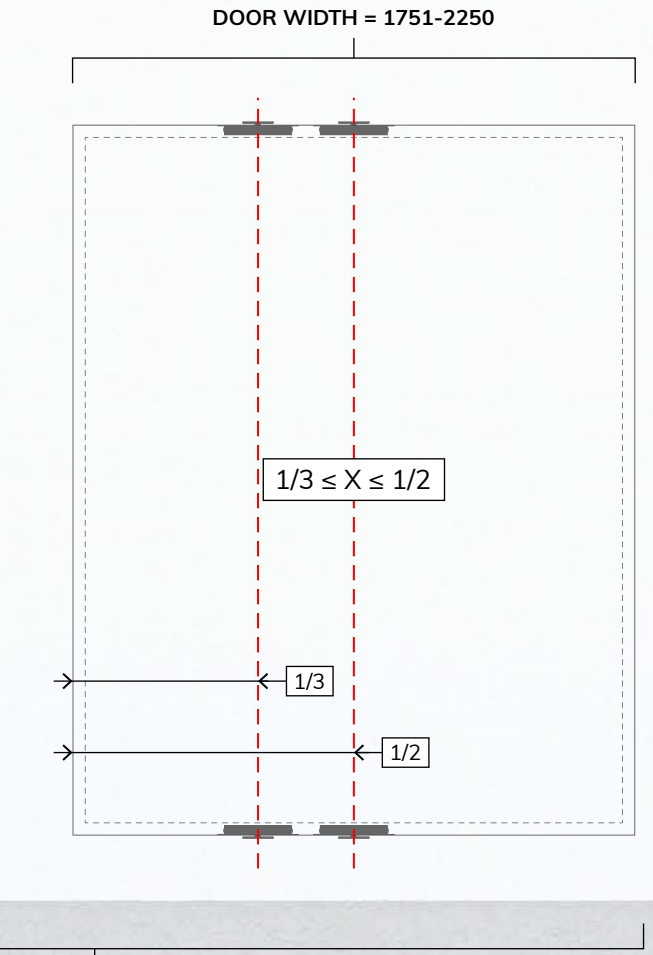
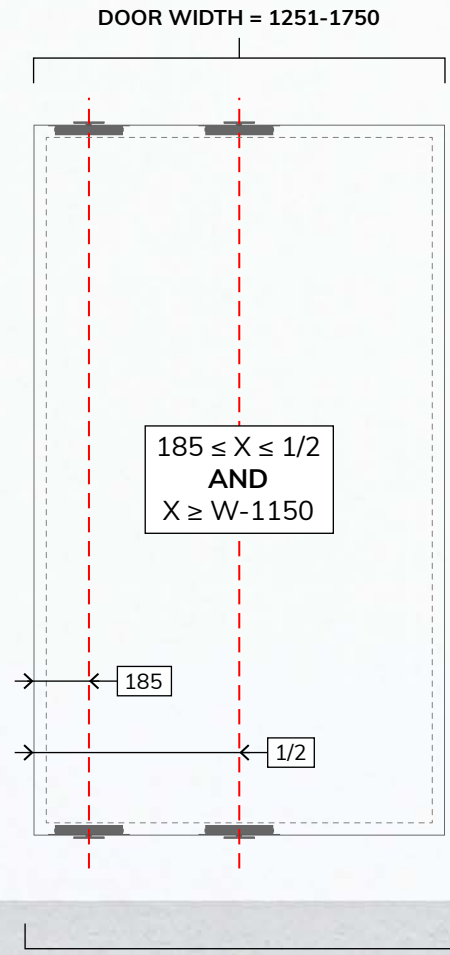


# PIVOT POSITIONS / 4245

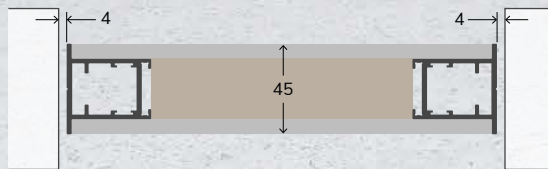
W = door width (alu frame)  
 X = axis position to door edge (alu frame)



NL PIVOT



XL PIVOT



WIDTH	W-1150	X range
1251	101	185 - 1/2
1335	185	185 - 1/2
1500	350	350 - 1/2
1750	600	600 - 1/2

EXAMPLES

WIDTH	X range
1751	584 - 1/2
1800	600 - 1/2
1950	650 - 1/2
2100	700 - 1/2

EXAMPLES

# JOINT DIMENSIONS / FIXED 5730

\*Portapivot calculates the correct joints based on your door choice and setup! You only have to enter the correct 'wall opening' dimensions when ordering online!



# JOINT DIMENSIONS / FIXED 3530

\*Portapivot calculates the correct joints based on your door choice and setup! You only have to enter the correct 'wall opening' dimensions when ordering online!



# JOINT DIMENSIONS / FIXED **MINIMAX (2038)**

\*Portapivot calculates the correct joints based on your door choice and setup! You only have to enter the correct 'wall opening' dimensions when ordering online!

