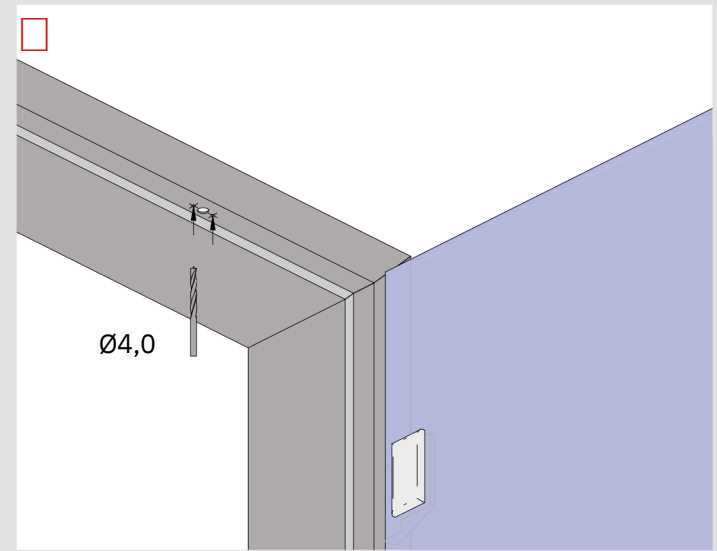
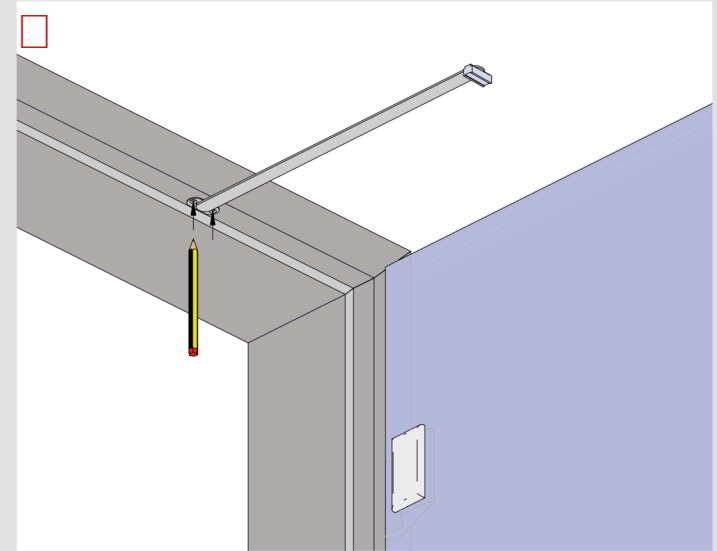
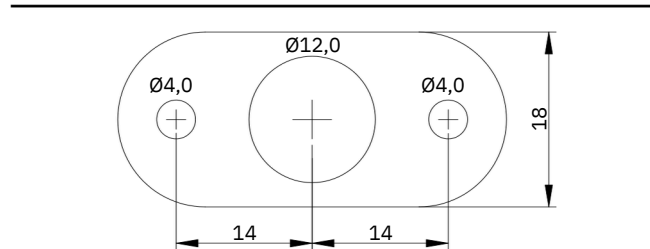
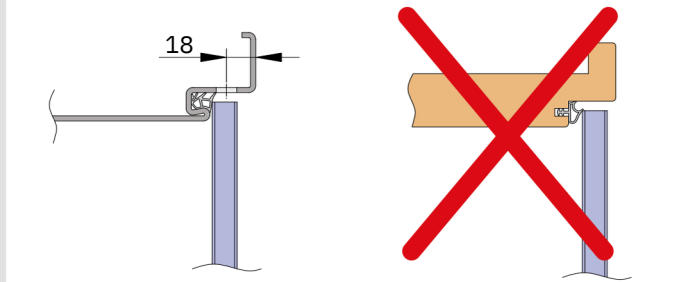
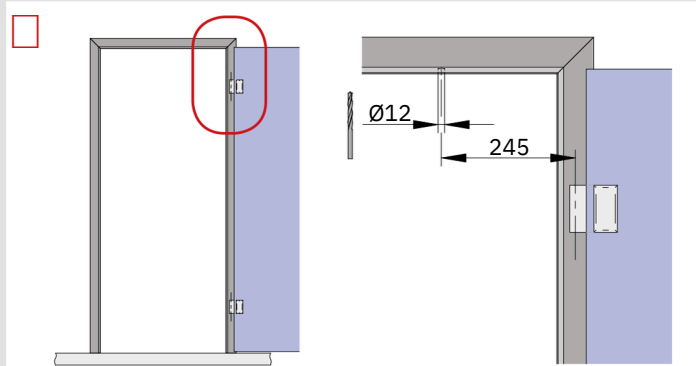
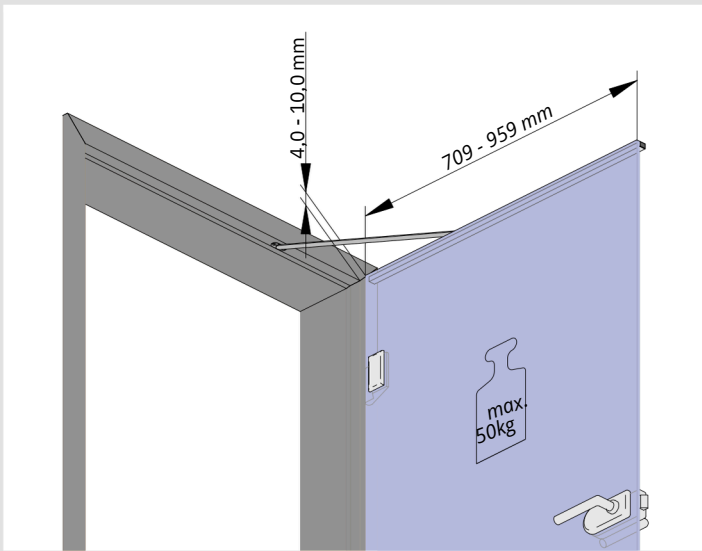
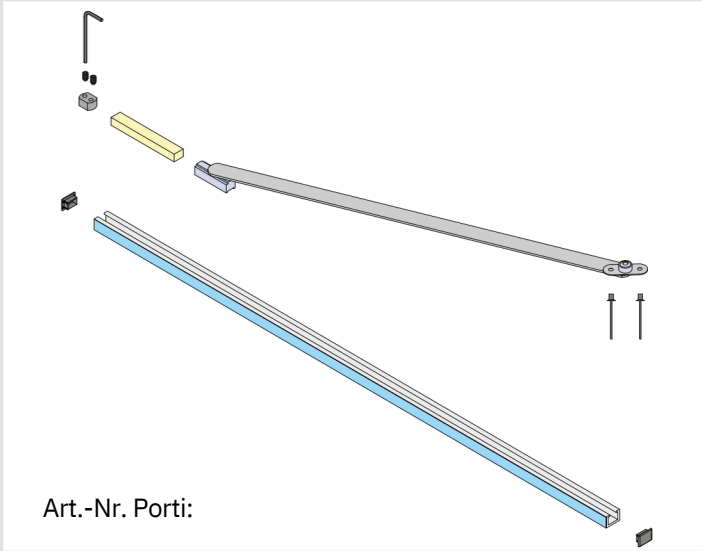


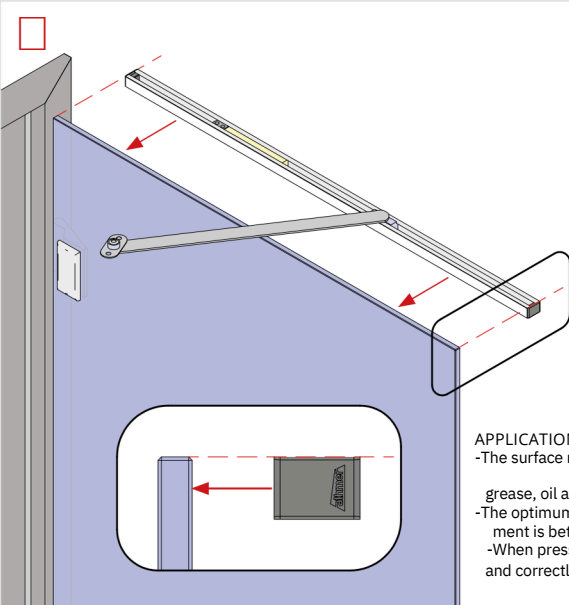
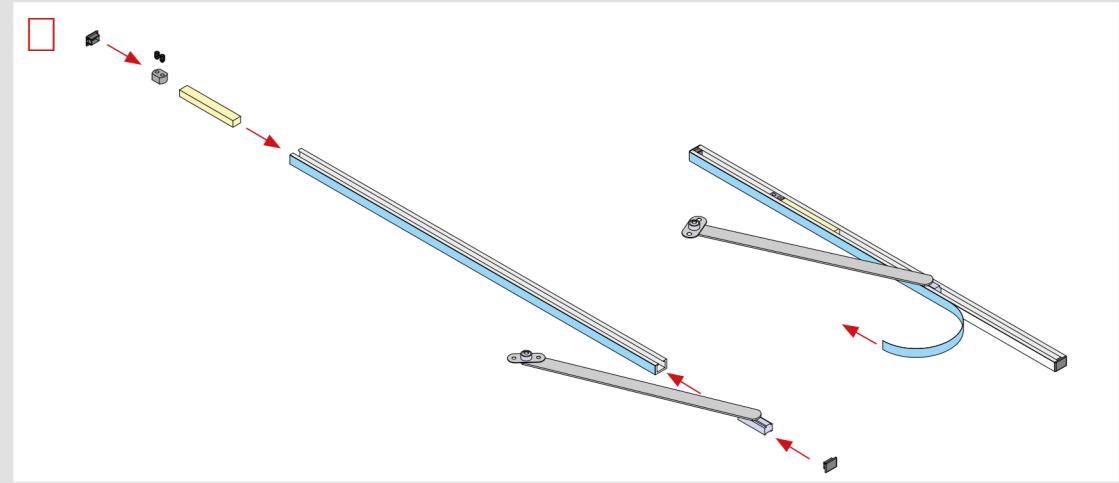
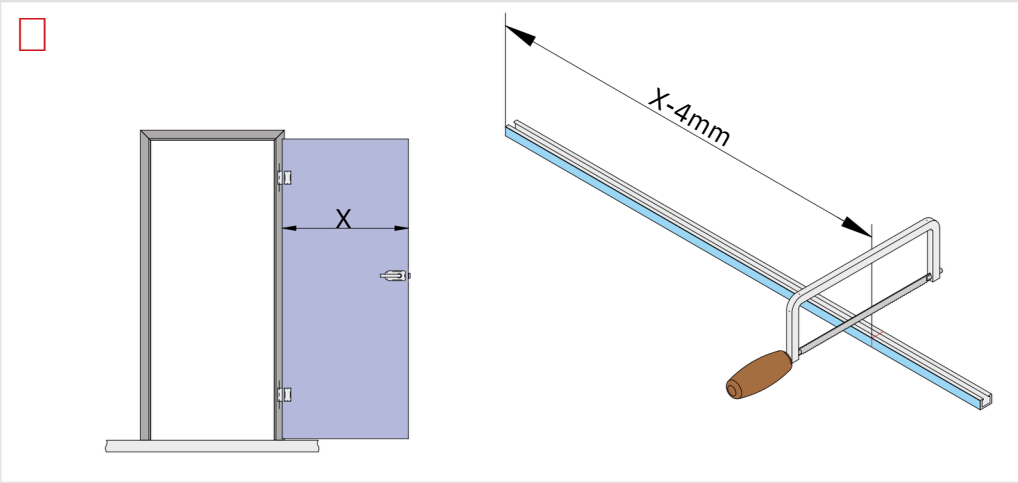
Included / Technical Specifications

Fitting

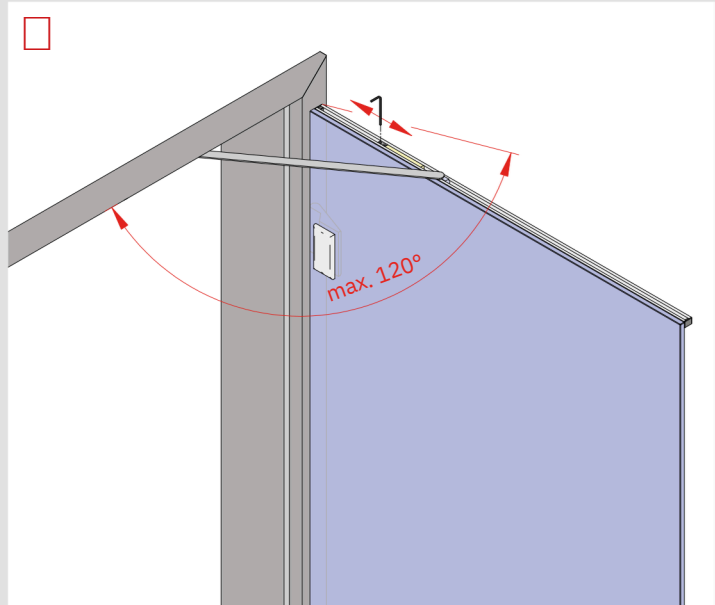
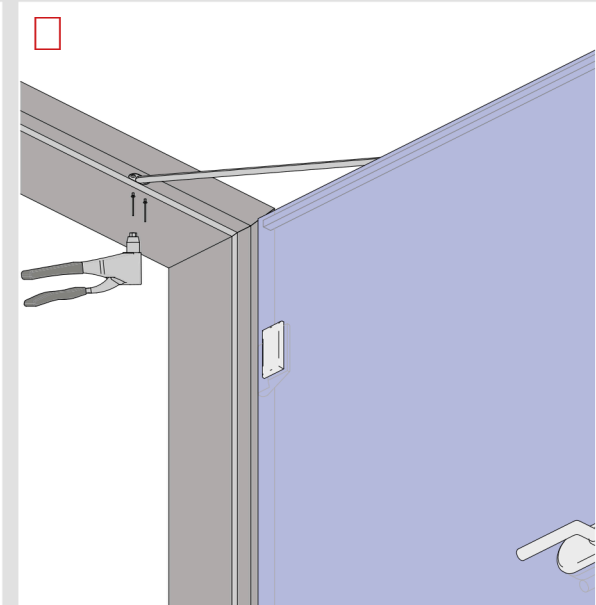


Belastung durch Öffnungsbegrenzer bei der Bandauswahl berücksichtigen. Nicht geeignet für: satinierte Glastüren, Pendeltüren. Technische Änderungen vorbehalten.
When choosing the hinges, loads caused by the opening restrictor have to be taken into account. Not suited for: frosted glass doors, double action doors. Technical specifications are subject to change.

Fitting



APPLICATION INSTRUCTIONS
 -The surface must be dry and free of dust,
 grease, oil and release agent.
 -The optimum temperature of treatment
 is between +18°C and +35°C.
 -When pressing, position it carefully
 and correctly. Tape cannot be adjusted!



Belastung durch Öffnungsbegrenzer bei der Bandauswahl berücksichtigen. Nicht geeignet für: satinierte Glastüren, Pendeltüren. Technische Änderungen vorbehalten.
 When choosing the hinges, loads caused by the opening restrictor have to be taken into account. Not suited for: frosted glass doors, double action doors. Technical specifications are subject to change.