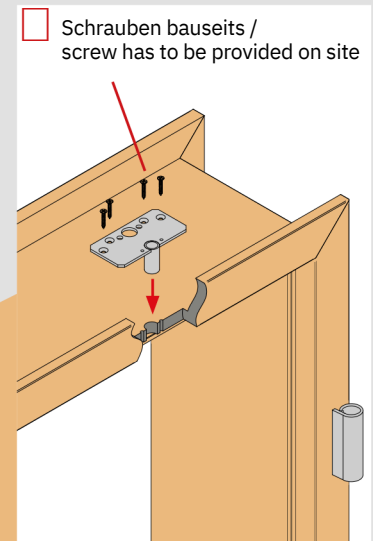
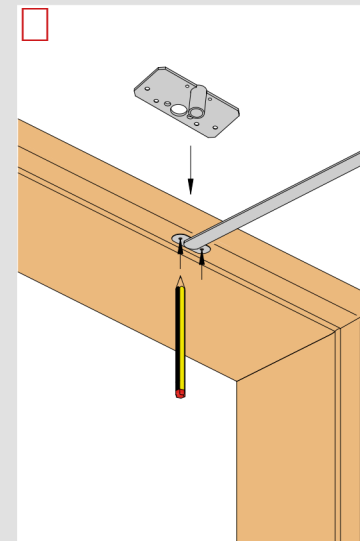
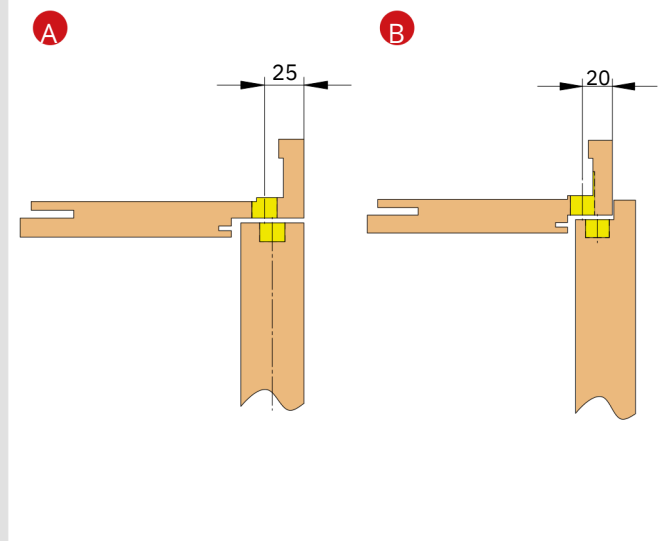
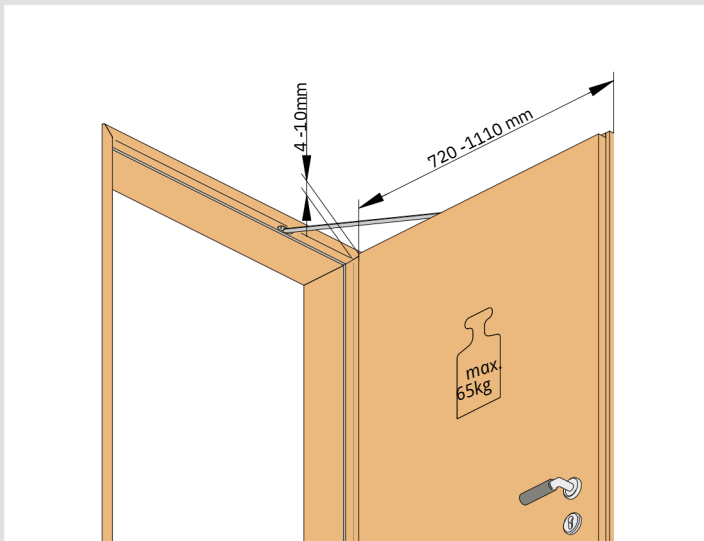
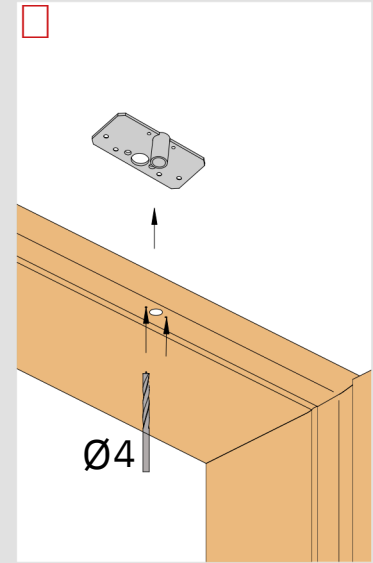
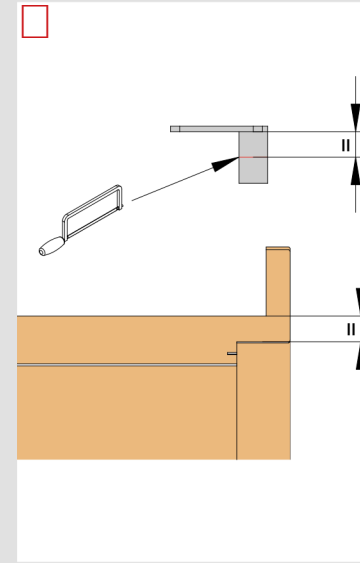
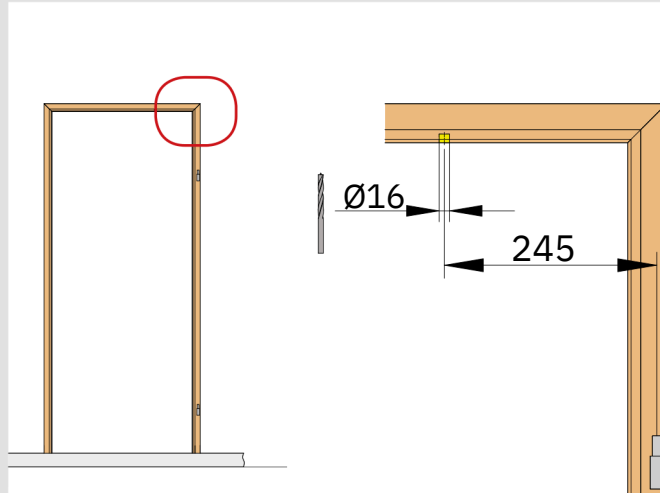
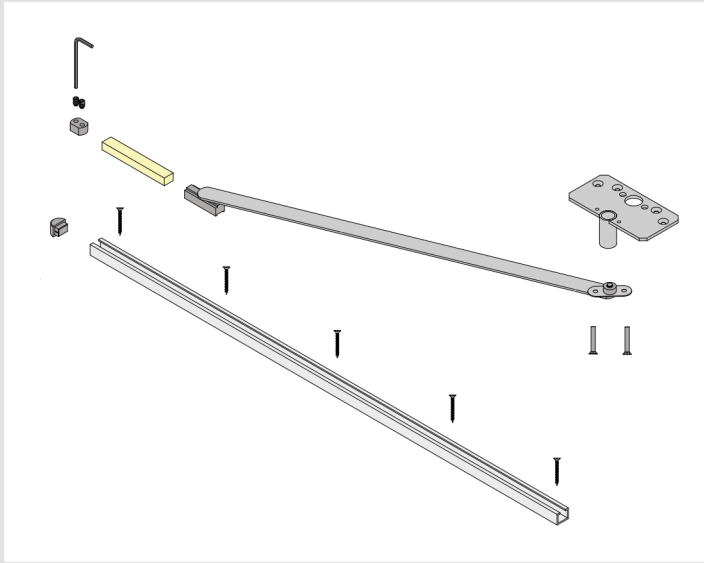
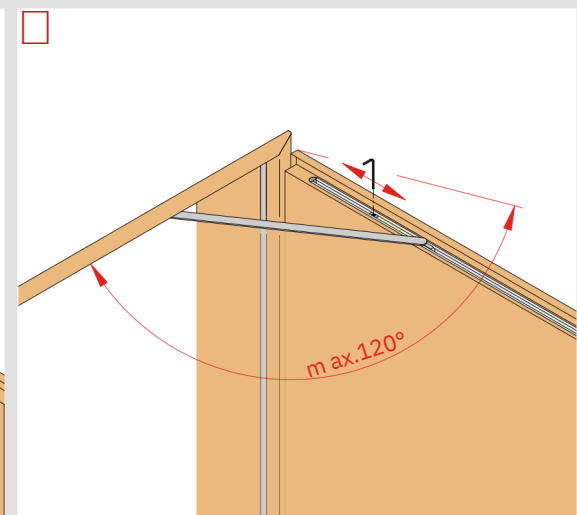
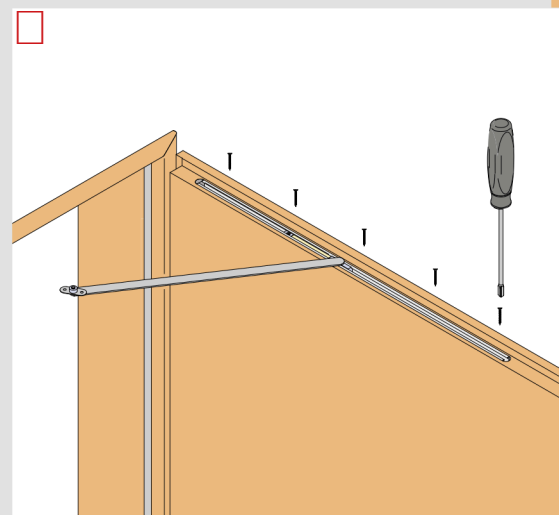
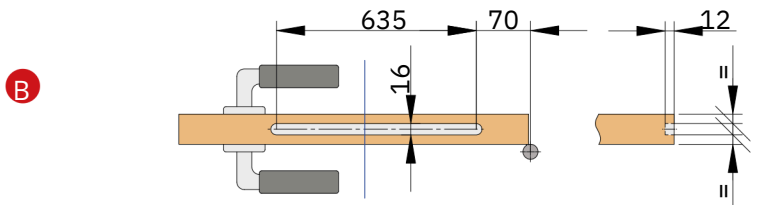
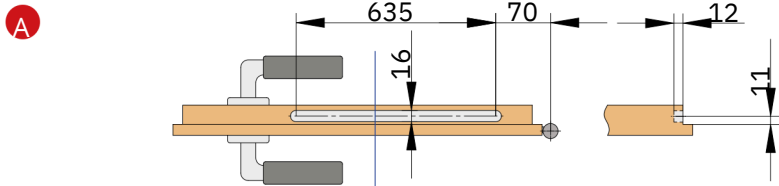
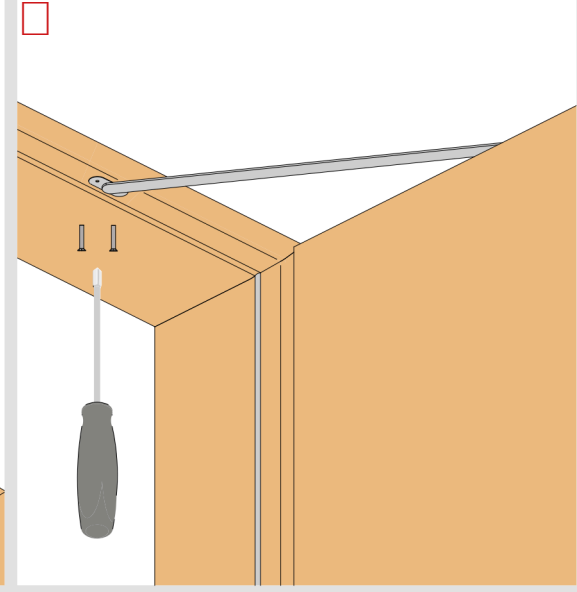
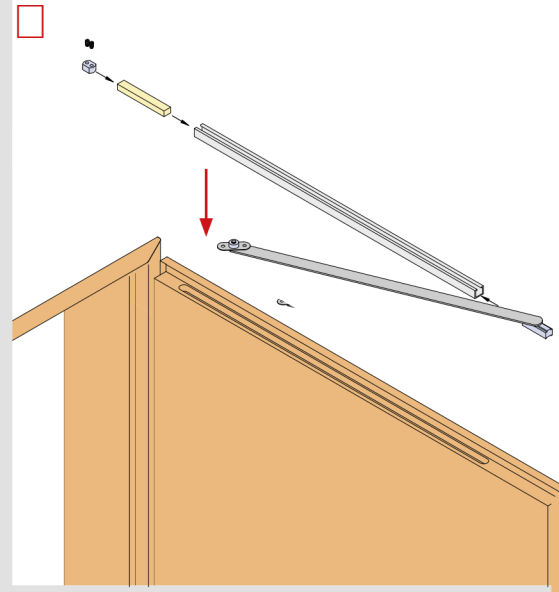
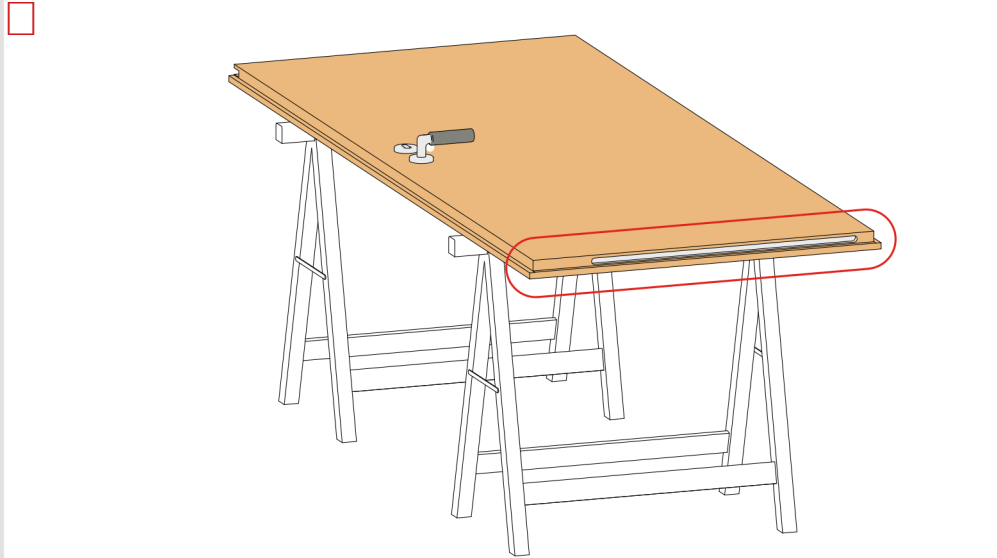


# Technical Specifications

## Fitting / preliminary set of wooden frames



# Fitting



Belastung durch Öffnungsbegrenzer bei der Bandauswahl berücksichtigen. Technische Änderungen vorbehalten. When choosing the hinges loads due to the opening restrictor have to be taken into account. Technical specifications are subject to change.